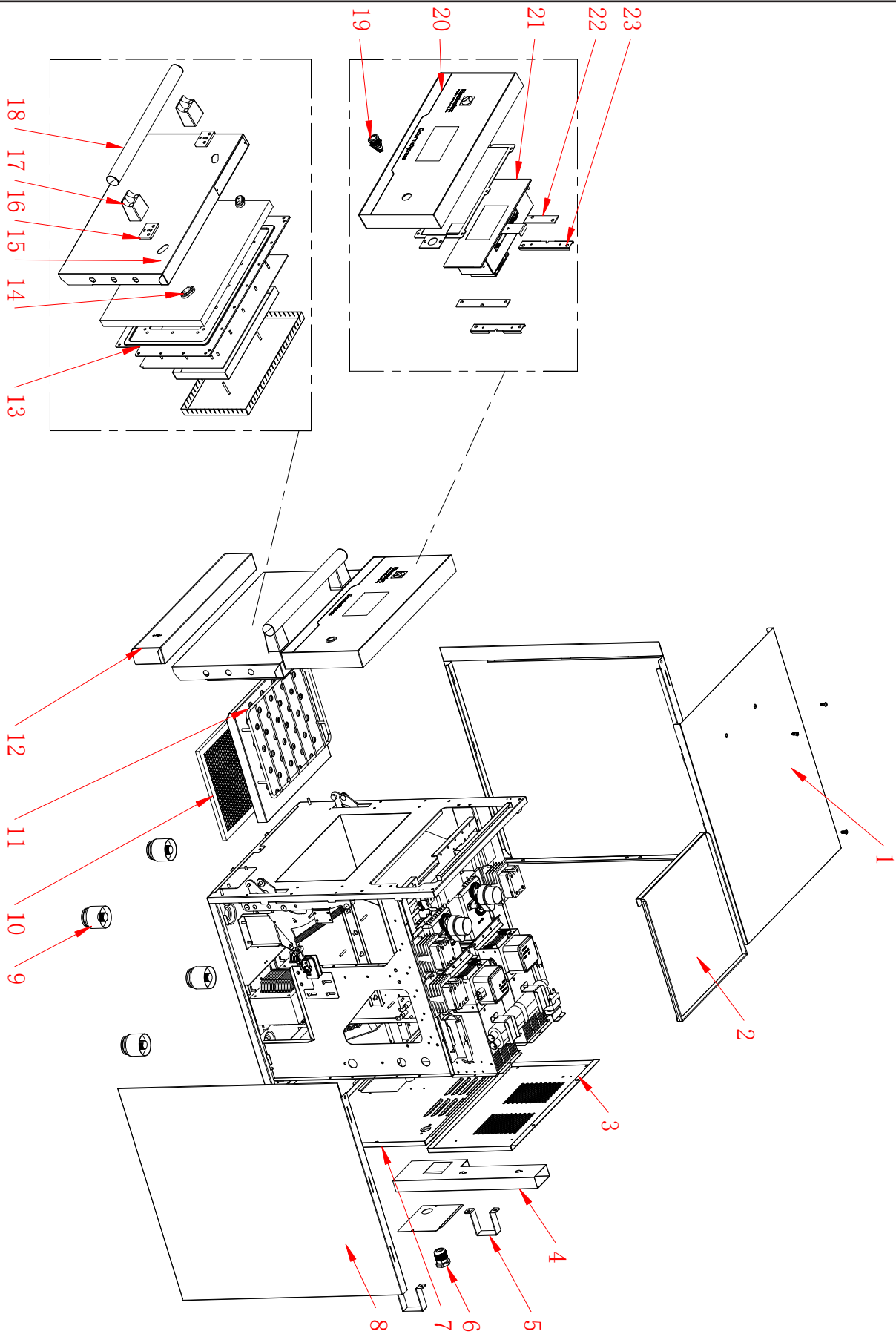


INDEX - INDICE

PAG.

PANELS AND ELECTRONIC BOARDS	3
SPARE PARTS LIST - PANELS AND ELECTRONIC BOARDS	4
INTERNAL COMPONENTS	5
SPARE PARTS LIST - INTERNAL COMPONENTS	6-7
ACCESSORIES	8
SPARE PARTS LIST - ACCESSORIES	9



PANELS AND ELECTRONIC BOARDS

From Ser. Nr.
Up to Ser. Nr.

Ed. 01 2023-07
Ed. 01 2023-07

Page: 3

Doc No: 0598407100

POS	FACTORY CODE	S.P. CODE	DESCRIPTION	V	W&T	REF.	NOTES	S/N BREAK (YYYY/WK)
1		0CBB6K	Cover shell (black)			a		
2		0CBB76	Oven shovel holder			a		
3		0CBB8O	Upper back plate			a		
4		0CBB79	Pressure discharge, assy			a		
5		0CBB8A	Rear wall spacer			a		
6		0CBB6E	Cable Joint			a		
7		0CBB73	Lower back plate			a		
8		0CBB8F	Side plate (black)			a		
9		0CBB6C	2" adjustable leg			a		
10		0CBB6S	Filter 230X176X10	x	x	a		
11		0CBB6H	Chamber SSL impingement rack (with many bars)			a		
12		0CBB6W	Front lower plate (black)			a		
13		0CBB6D	Bakelite plate, door handle			a		
14		0CBB70	Insulation pad, inside the door	x		a		
15		0CBB6M	Door, assy (black)			a		
16		0CBB71	Insulation pad, outside the door	x		a		
17		0CBB59	Door handle base (for EPR only)	x		a		
18		0CBB6L	Door handle tube (for EPR only)			a		
19		0CBB6A	Power button	x		a		
20		0CBB6I	Control panel frame - GourmeXpress ,assy (black, for EPR only)	x		a		
21		0CBB4T	5" touch screen	x		a		
22		0CBB6U	Fixed subplate, touch screen			a		
23		0CBB6T	Fixed plate, touch screen			a		

* On demand

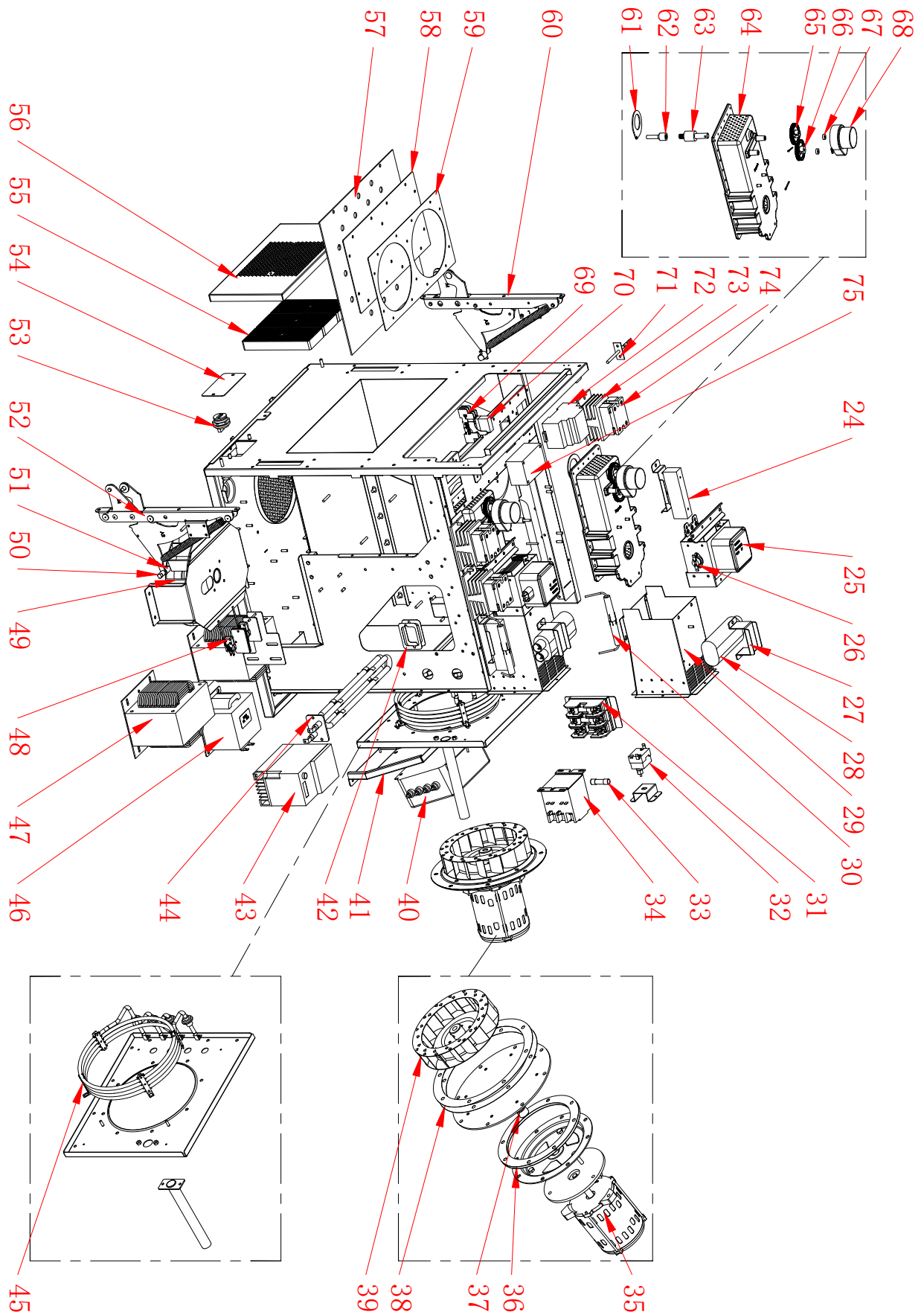
Bold=last change

From Ser. Nr.
Up to Ser. Nr.

Ed. 01 2023-07
Ed. 01 2023-07

Page: 4

Doc No: 0598407100



INTERNAL COMPONENTS

From Ser. Nr.
Up to Ser. Nr.

Ed. 01 2023-07
Ed. 01 2023-07

Page: 5

Doc No: 0598407100

POS	FACTORY CODE	S.P. CODE	DESCRIPTION	V	W&T	REF.	NOTES	S/N BREAK (YYYY/WK)
24		0CBB8G	Silicon stack	x		a		
25		0CBB4V	Magnetron	x		a		
26		0CBB8M	Temperature switch T1/33-140/130 usually close	x		a		
27		0CBB6F	Capacitor holder			a		
28		0CBB54	High voltage capacitor	x		a		
29		0CBB8V	Wind outlet, assy			a		
30		0CBB6Z	High-voltage fuse ASSY	x		a		
31		0CBB6X	Fuse holder	x		a		
32		0CBB6B	Temperature limiter WYF350F-ZS4	x		a		
33		0CBB56	Fuse RT18-32 (RO15) 500V 25A)	x		a		
34		0CBB55	AC contactor HCC-3XU04CY 240V	x		a		
35		0CBB4U	Motor (variable frequency)	x		a		
36		0CBB8H	Small mesh gasket for motor plate	x	x	a		
37		0CBB8E	Shaft motor spacer	x		a		
38		0CBB72	Large Mesh Gasket for motor plate	x	x	a		
39		0CBB58	Wind wheel	x		a		
40		0CBB8R	Wave filter PX4NL2-20A-SF	x		a		
41		0CBB8Q	Wave filter holder			a		
42		0CBB74	Mesh gasket, heating element	x	x	a		
43		0CBB6V	Frequency converter	x		a	Set with EPR parameters	
44		0CBB4W	Heating element 240V/2.5kW	x		a		
45		0CBB4Z	Heating element (1.8+1.2kW)230V	x		a		
46		0CBB6P	Electric reactor R1523A 15A 23mH	x		a		
47		0CBB4Y	High voltage transformer	x		a		
48		0CBB75	Micro switch KW3A-25Z2-A200-76B	x	x	a		
49		0CBB6Q	Fan 90W-115W	x		a		
50		0CBB78	Pin, door hinge micro switch (small)	x		a		
51		0CBB77	Pin, door hinge micro switch (big)	x		a		
52		0CBB52	Door hinge, right	x	x	a		
53		0CBB51	USB port connector	x		a		
54		0CBB8P	USB cover plate			a		
55		0CBB6G	Catalytic converter	x	x	a		
56		0CBB6J	Cover plate, catalytic converter			a		
57		0CBB8N	Top impingement plate	x	x	a		
58		0CBB8D	Seal plate, waveguide		x	a		
59		0CBB8U	Waveguide gasket		x	a		
60		0CBB50	Left hinge	x	x	a		
61		0CBB8I	Stir balde			a		
62		0CBB8J	Stir balde connecting rod			a		
63		0CBB8T	Waveguide box drive lever (limit)			a		
64		0CBB8S	Waveguide box	x		a		
65		0CBB6O	Drive gear B	x		a		
66		0CBB6N	Drive gear A	x		a		
67		0CBB8K	Stirring motor washer			a		
68		0CBB8L	Synchronous gear motor	x		a		

* On demand

Bold=last change

From Ser. Nr.
Up to Ser. Nr.

Ed. 01 2023-07
Ed. 01 2023-07

Page: 6

Doc No: 0598407100

POS	FACTORY CODE	S.P. CODE	DESCRIPTION	V	W&T	REF.	NOTES	S/N BREAK (YYYY/WK)
69		0CBB8C	Relay holder	x		a		
70		0CBB8B	Relay	x		a		
71		0CBB4X	Temperature probe PT1000	x		a		
72		0CBB53	Switching power supply	x		a		
73		0CBB6Y	Heat sink, solid-state relay			a		
74		0CBB57	Solid-state relay	x		a		
75		0CBB6R	Fan governor	x		a		

* On demand

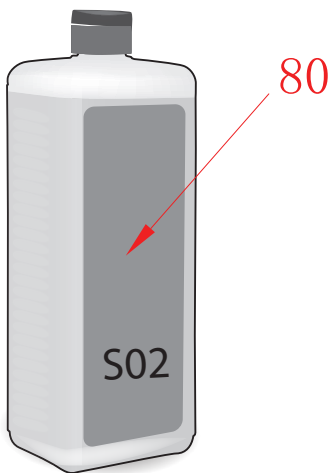
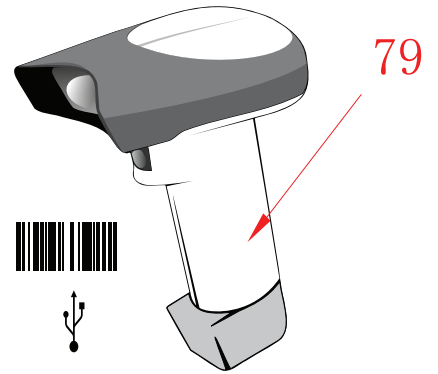
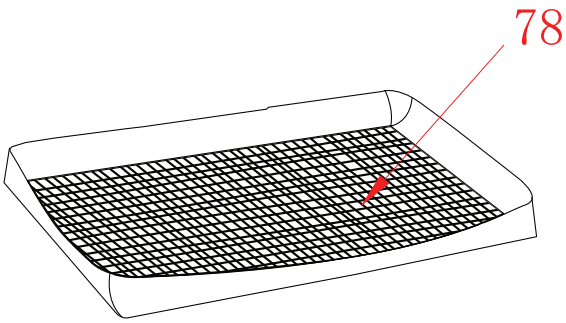
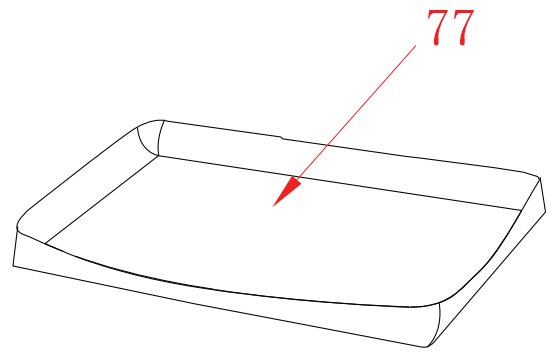
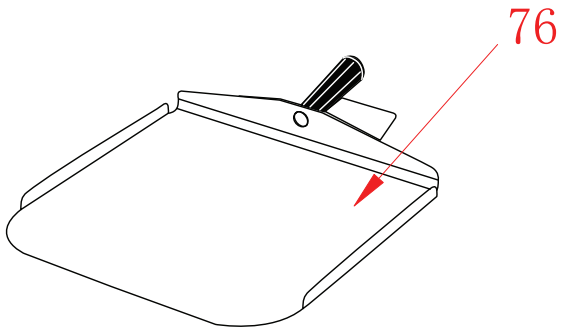
Bold=last change

From Ser. Nr.
Up to Ser. Nr.

Ed. 01 2023-07
Ed. 01 2023-07

Page: 7

Doc No: 0598407100



ACCESSORIES

From Ser. Nr.
Up to Ser. Nr.

Ed. 01 2023-07
Ed. 01 2023-07

Page: 8

Doc No: 0598407100

--	--	--	--	--	--	--	--	--

POS	FACTORY CODE	S.P. CODE	DESCRIPTION	V	W&T	REF.	NOTES	S/N BREAK (YYYY/WK)
76		0CBCB8	Aluminium Shovel - Gourmexpress			a		
77		0CBCB6	Teflon Tray - Gourmexpress		x	a		
78		0CBCB7	Teflon Mesh Basket - Gourmexpress		x	a		
79		0CBCB9	Barcode Scanner - Gourmexpress			a		
80		0S2882	Degreaser S02			a		

* On demand

Bold=last change

From Ser. Nr. Up to Ser. Nr.	Ed. 01 2023-07 Ed. 01 2023-07	Page: 9	Doc No: 0598407100
---------------------------------	----------------------------------	---------	---------------------------

Electrolux Professional SpA
Viale Treviso, 15
33170 Pordenone, ITALY
Fax (+39) 0434 380 201
<https://www.electroluxprofessional.com>
<https://webgate.electroluxprofessional.com>